

BATEMAN

SPEEDLOCK **ROTATING QUICK COUPLER**

Introducing the SpeedLock Quick Coupler: Redefining Material Handling Efficiency

Revolutionize your work with the SpeedLock Quick Coupler, an innovative automatic coupling system designed to streamline material handling operations. Experience the future of efficiency as you change hydraulic attachments in a mere 15 seconds, boosting your productivity to new heights.

**15-Second Attachment
Changes**

**Visual Mechanical
Lock Indicator**

**Seamless Swap of Electrical
and Hydraulic Attachments**

360° Continuous Rotation

UNPARALLELED DESIGN FOR PRECISION AND PERFORMANCE

Crafted to perfection, the SpeedLock Quick Coupler stands as an adjustable marvel, purpose-built to enhance your material handling machines. A powerful 360° rotator takes center stage, seamlessly integrated with our robust hydraulic quick coupler. Ingeniously equipped, the SpeedLock redefines ease of use and durability.

NEXT-LEVEL RELIABILITY WITH MECHANICAL LOCK ASSURANCE

Bid farewell to unreliable electronic signals! Unlike traditional systems prone to electronic failures leading to downtime, the SpeedLock boasts a Mechanical Lock Indicator. Rest assured, every connection is soundly secured, eliminating any uncertainty, and supporting your workflow.

THE SPEEDLOCK ADVANTAGES

Precision-engineered connection process, instilling confidence in every attachment change.

Field-proven excellence with the Bateman legacy – trusted by countless job sites.

Seamless activation of machine hydraulics, minimizing downtime and maximizing productivity.

Unrestricted flexibility with 360° continuous rotation, powered by a heavy-duty motor.

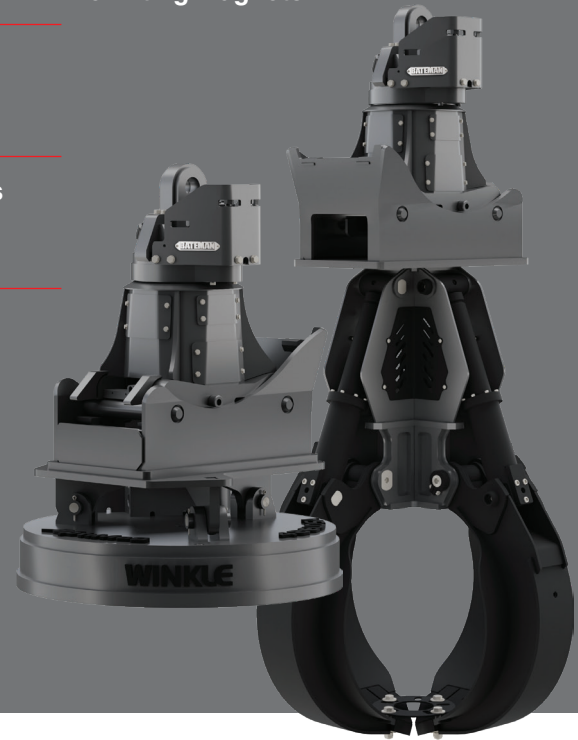
Game-changing design for suspended attachments, setting the standard for future-ready solutions.

Electric swivel integration eliminates cable clutter, enabling hassle-free use of lifting magnets.

Backed by a combination of three decades in rotating & coupler systems expertise.

Rapid ROI, flexibility, and less machines for same volume of productivity.

Instant, secure connections – effortlessly switch hydraulic, mechanical, and electrical tools from the comfort of your cab.



MODEL	DIMENSIONS IN (MM)			WEIGHT LBS (KG)			MAX LIFT CAPACITY LBS
	Height	Width	Length	Coupler	Rotator	Adapter	
SL160	45.5 (1,156)	24.3 (617)	37.5 (953)	530 (241)	450 (204)	511 (232)	33,000
SL210	45.7 (1,160)	21.65 (550)	37.5 (953)	650 (295)	705 (320)	511 (232)	110,231

ELEVATE YOUR MATERIAL HANDLING GAME WITH THE SPEEDLOCK QUICK COUPLER

Embrace the future of efficiency, safety, and performance – your path to optimized processes and elevated results.