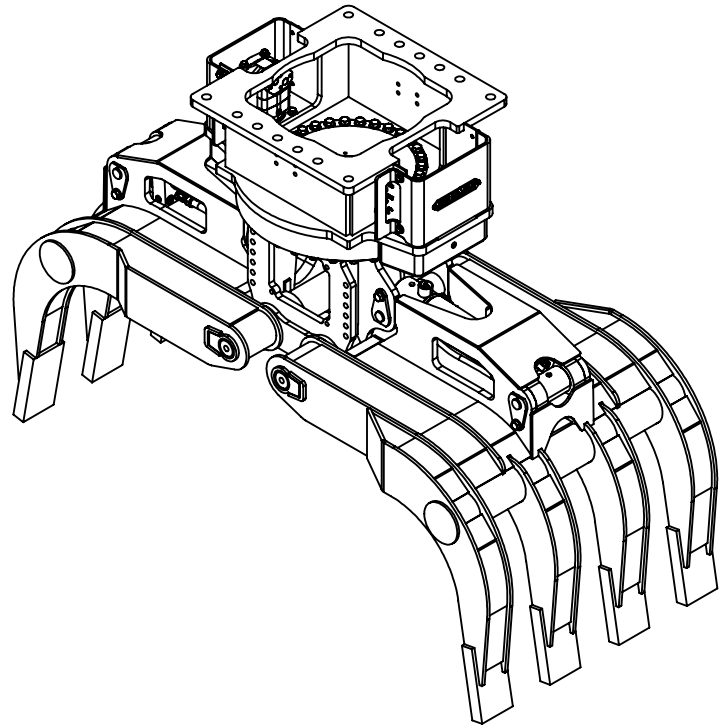
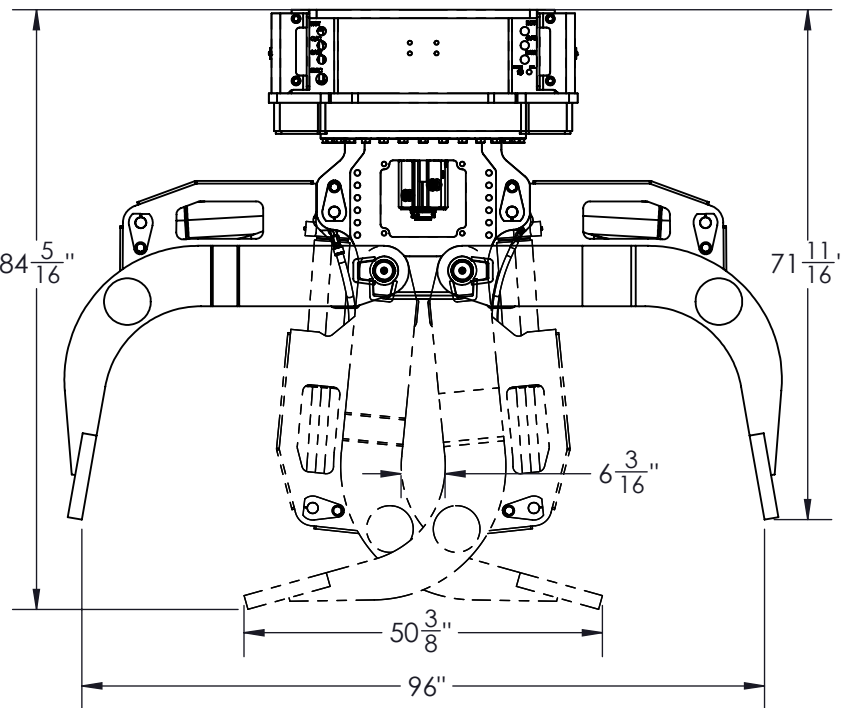
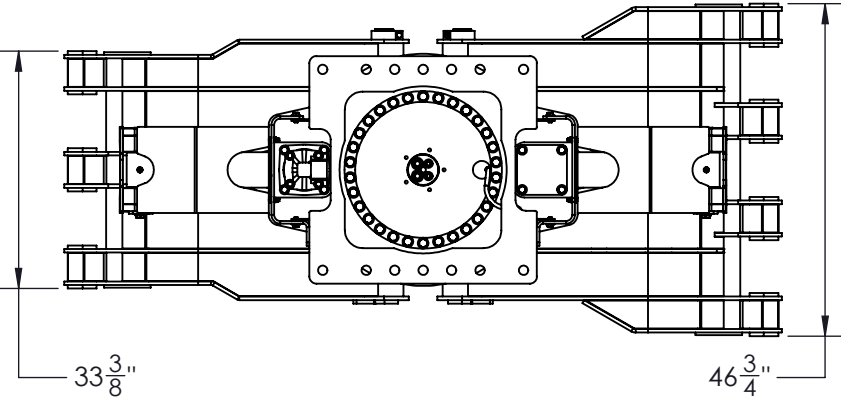


300 SERIES 4/3 DEMOLITION GRAPPLE

Open	96"	2438.4mm
Area tip to tip	7.85 ft ²	0.73 m ²
Cylinder Bore	4"	102mm
Lock valve on Cylinder	Included	
Cylinder Max. Pressure	5 000 psi	345 bar
Weight (grapple only)	4000 lb	1814 kg

300S SERIES MANIPULATING ROTATOR

Rotation	Unlimited	
Lifting capacity	200,000 lb	90718 kg
Max pressure	3000 psi	207 bar
Max torque	127851 lb-in	14445.2 Nm
Rotator flow	22 gpm	83 L/min
Rotation speed	14 rpm	
Weight	1500 lb	680 kg



BATEMAN MANUFACTURING
 5 WINSTAR ROAD
 ORO-MEDONTE, ONTARIO
 L0L 2L0, CANADA

WWW.BATEMANMANUFACTURING.COM
 MAIL@BATEMANMANUFACTURING.COM
 PHONE: (705) 487-5020
 FAX: (705) 487-5290

