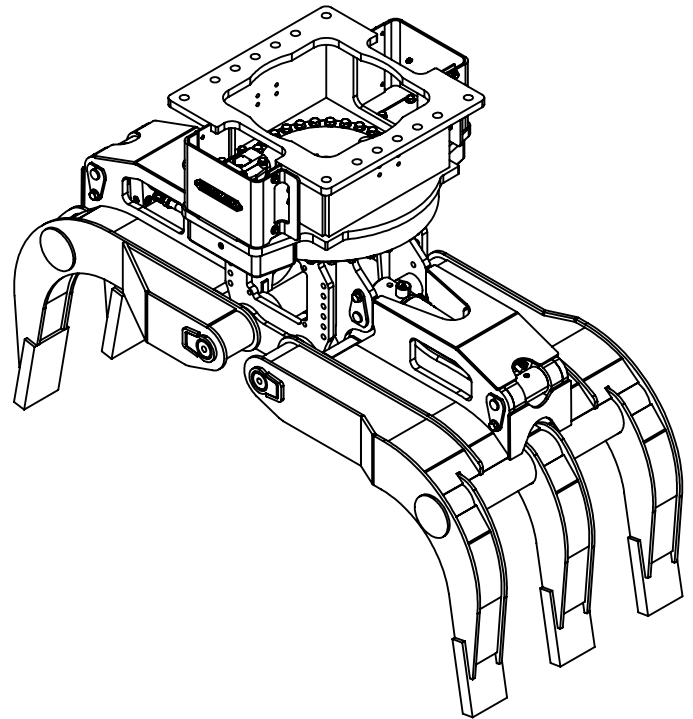
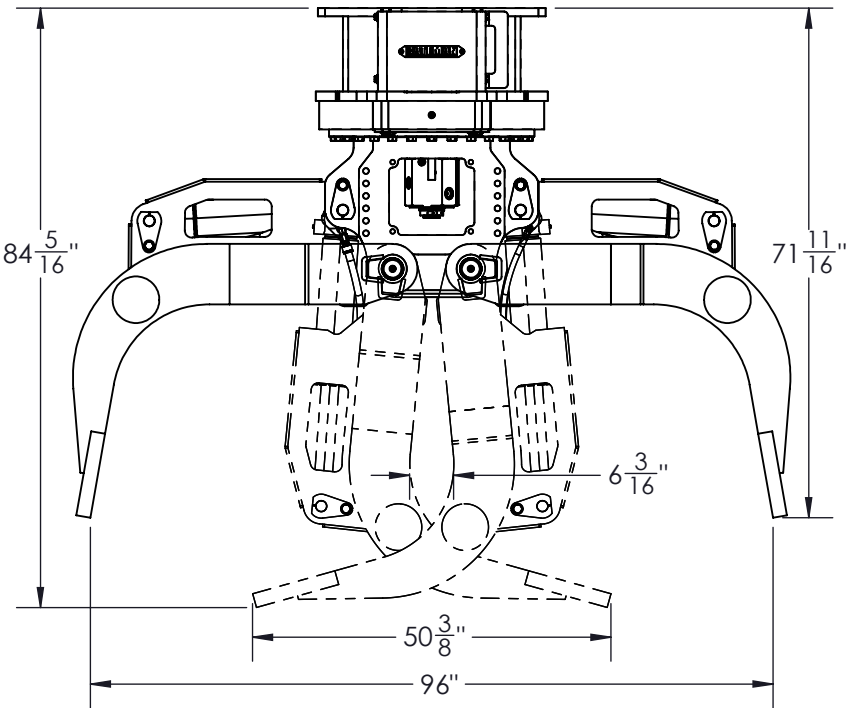


### 300 SERIES 3/2 DEMOLITION GRAPPLE

Open	96"	2438.4mm
Area tip to tip	7.85 ft <sup>2</sup>	0.73 m <sup>2</sup>
Cylinder Bore	4"	102mm
Lock valve on Cylinder	Included	
Cylinder Max. Pressure	5 000 psi	345 bar
Weight (grapple only)	3500 lb	1588 kg

### 300S SERIES MANIPULATING ROTATOR

Rotation	Unlimited	
Lifting capacity	200,000 lb	90718 kg
Max pressure	3000 psi	207 bar
Max torque	127851 lb-in	14445.2 Nm
Rotator flow	22 gpm	83 L/min
Rotation speed	14 rpm	
Weight	1500 lb	680 kg



**BATEMAN MANUFACTURING**  
**5 WINSTAR ROAD**  
**ORO-MEDONTE, ONTARIO**  
**LOL 2L0, CANADA**

**WWW.BATEMANMANUFACTURING.COM**  
**MAIL@BATEMANMANUFACTURING.COM**  
**PHONE: (705) 487-5020**  
**FAX: (705) 487-5290**

