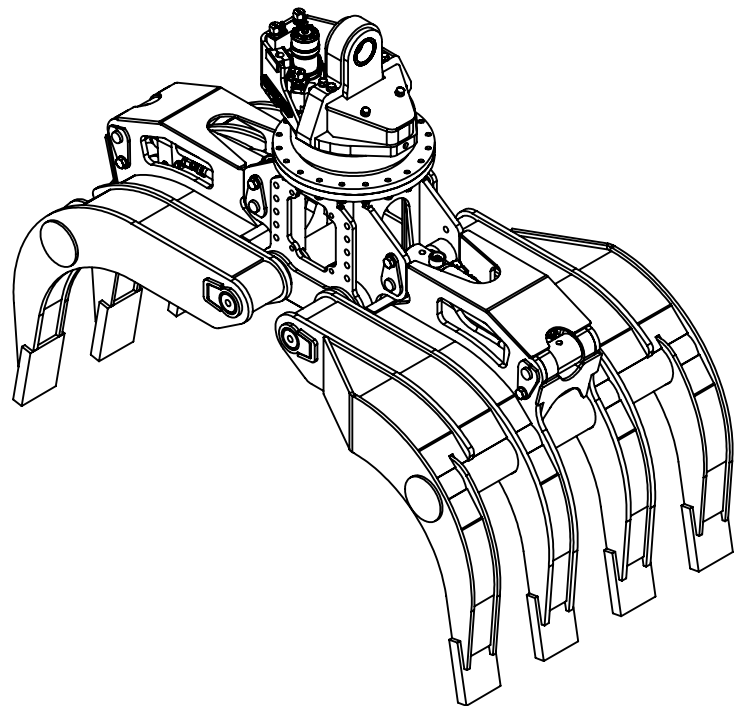
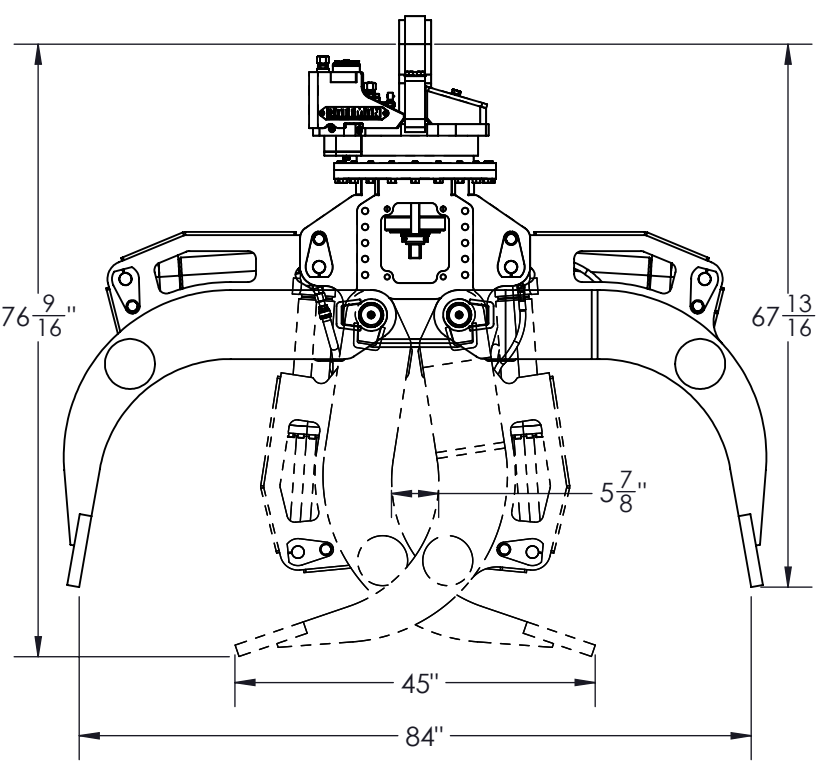
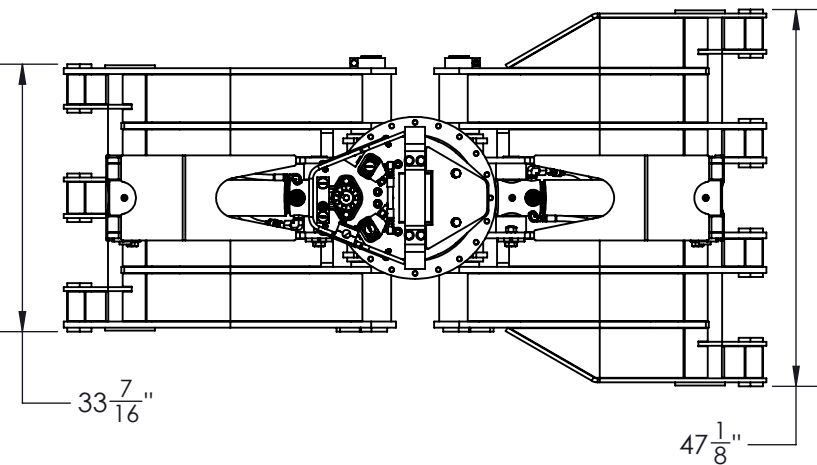


#### 200 SERIES 4/3 DEMOLIITON GRAPPLE

Open	84 "	2133.6mm
Area tip to tip	6.03 ft <sup>2</sup>	0.56 m <sup>2</sup>
Cylinder Bore	3 1/2 "	89mm
Lock valve on Cylinder	Included	
Cylinder Max. Pressure	5 000 psi	345 bar
Weight (grapple only)	2920 lb	1324 kg

#### 160 SERIES DANGLING ROTATOR

Rotation	Unlimited	
Lifting capacity	74200 lb	33657 kg
Max pressure	1450 psi	10.0 MPa
Torque at max. pressure	18400 lb-in	24947.1 Nm
Rotator flow	10 gpm	38 L/min
Rotation speed	15 rpm	
Weight	530 lb	240 kg



BATEMAN MANUFACTURING  
5 WINSTAR ROAD  
ORO-MEDONTE, ONTARIO  
LOL 2L0, CANADA

WWW.BATEMANMANUFACTURING.COM  
MAIL@BATEMANMANUFACTURING.COM  
PHONE: (705) 487-5020  
FAX: (705) 487-5290

