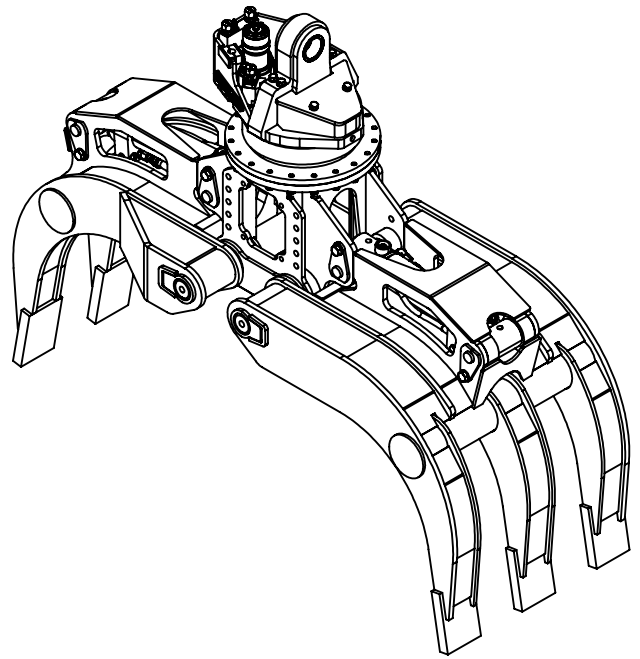
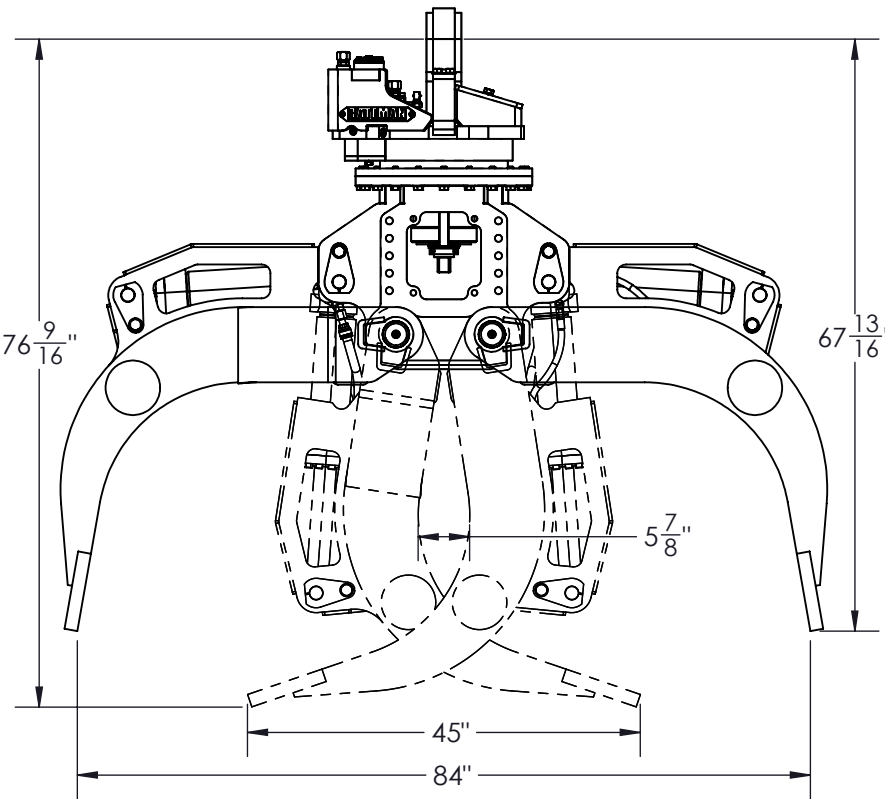


200 SERIES 3/2 DEMOLITION GRAPPLE

Open	84 "	2133.6mm
Area tip to tip	6.03 ft ²	0.56 m ²
Cylinder Bore	3 1/2 "	89mm
Lock valve on Cylinder	Included	
Cylinder Max. Pressure	5 000 psi	345 bar
Weight (grapple only)	2500 lb	1134 kg

160 SERIES DANGLING ROTATOR

Rotation	Unlimited	
Lifting capacity	74200 lb	33657 kg
Max pressure	1450 psi	10.0 MPa
Torque at max. pressure	18400 lb-in	24947.1 Nm
Rotator flow	10 gpm	38 L/min
Rotation speed	15 rpm	
Weight	530 lb	240 kg



BATEMAN MANUFACTURING
 5 WINSTAR ROAD
 ORO-MEDONTE, ONTARIO
 L0L 2L0, CANADA

WWW.BATEMANMANUFACTURING.COM
MAIL@BATEMANMANUFACTURING.COM
PHONE: (705) 487-5020
FAX: (705) 487-5290

