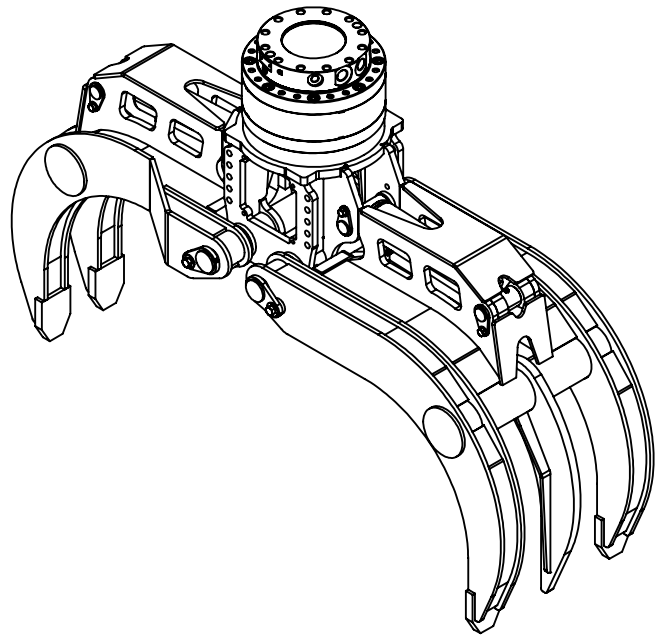
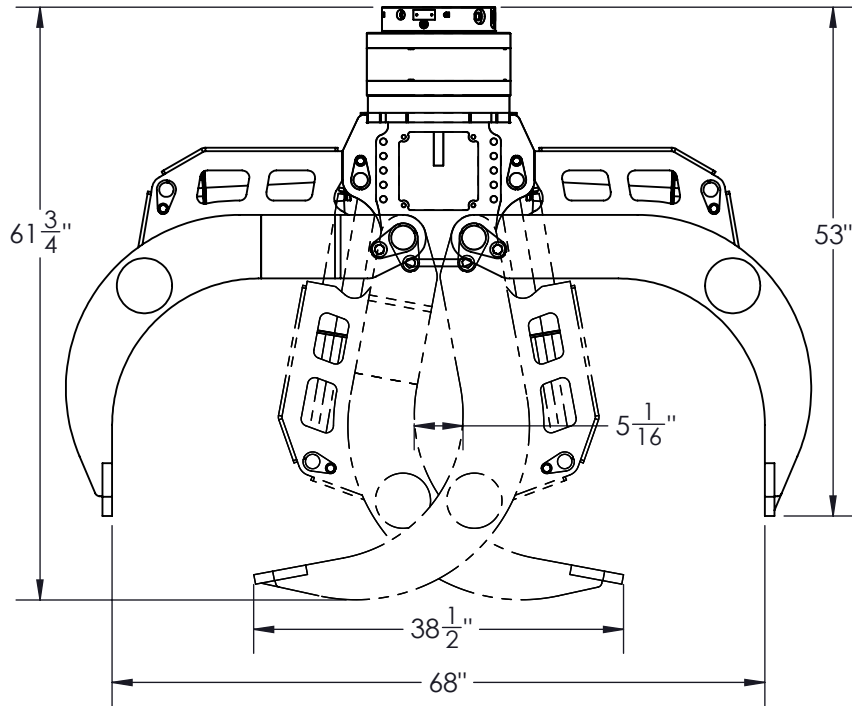


160 SERIES 3/2 WOODRAKE GRAPPLE

Open	68"	1727 mm
Area tip to tip	4.7 ft ²	0.44 m ²
Cylinder Bore	3 1/2"	89 mm
Lock valve on Cylinder	Excluded	
Cylinder Max. Pressure	3000 psi	207 bar
Weight (grapple only)	1200 lb	544 kg

150 SERIES MANIPULATING ROTATOR

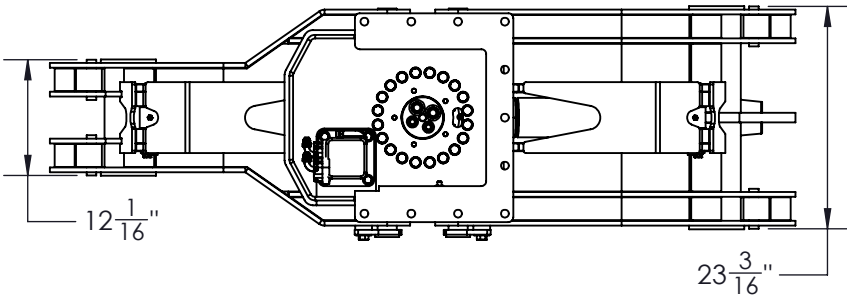
Rotation	Unlimited	
Lifting capacity	33720 lb	15295 kg
Max pressure	3625 psi	250 bar
Torque at max. pressure	39828 lb-in	4500.0 Nm
Rotator flow	9 gpm	34 L/min
Rotation speed	25 rpm	
Weight	367 lb	167 kg



BATEMAN MANUFACTURING
 5 WINSTAR ROAD
 ORO-MEDONTE, ONTARIO
 L0L 2L0, CANADA

WWW.BATEMANMANUFACTURING.COM
 MAIL@BATEMANMANUFACTURING.COM
 PHONE: (705) 487-5020
 FAX: (705) 487-5290



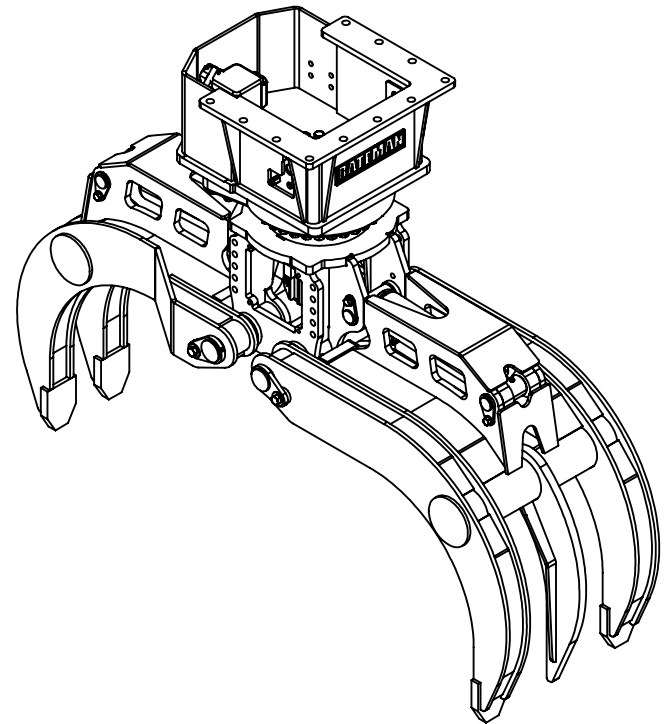
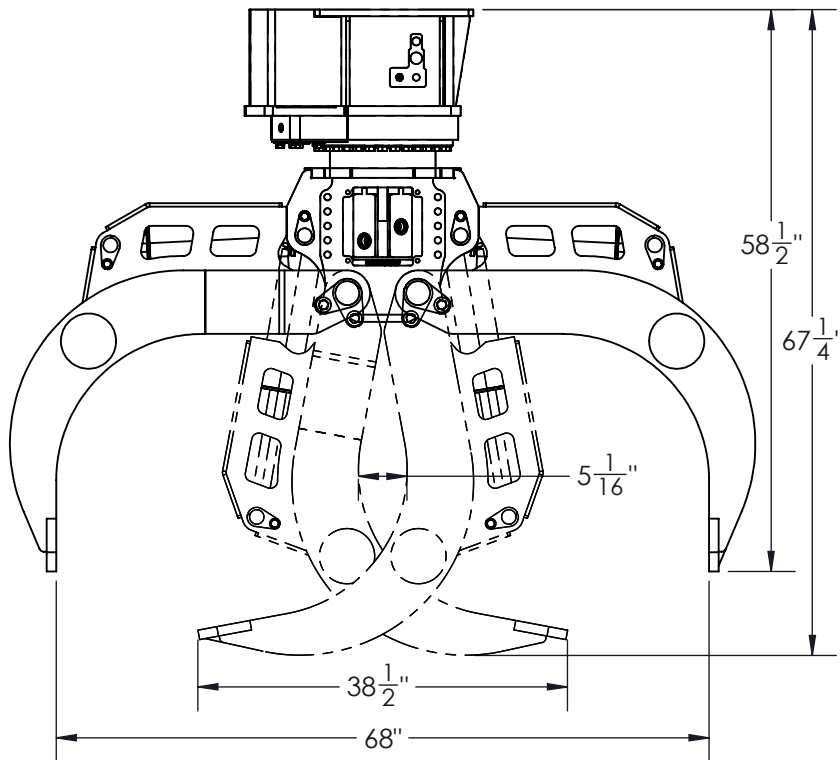


160 SERIES 3/2 WOODRAKE GRAPPLE

Open	68"	1727 mm
Area tip to tip	4.7 ft ²	0.44 m ²
Cylinder Bore	3 1/2"	89 mm
Lock valve on Cylinder	Excluded	
Cylinder Max. Pressure	3000 psi	207 bar
Weight (grapple only)	1200 lb	544 kg

160 SERIES MANIPULATING ROTATOR

Rotation	Unlimited	
Lifting capacity	74200 lb	33657 kg
Max pressure	3000 psi	207 bar
Torque at max. pressure	32428 lb-in	3663.9 Nm
Rotator flow	10 gpm	38 L/min
Rotation speed	15 rpm	
Weight	500 lb	227 kg



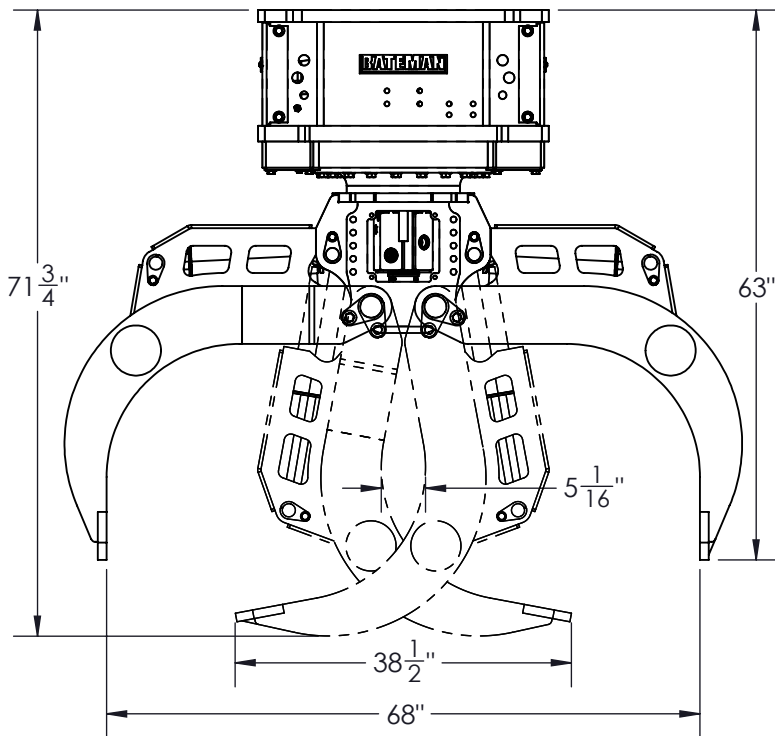
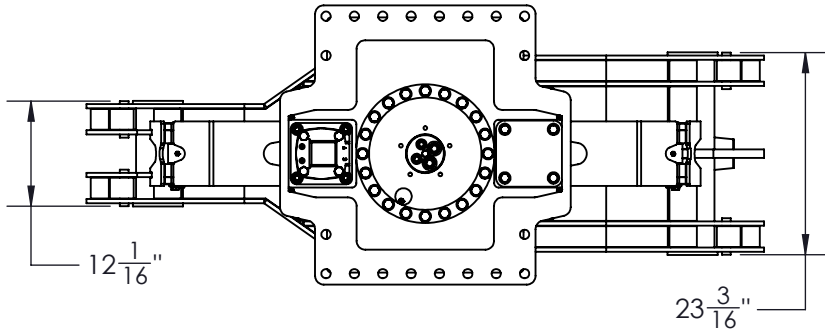
555S GRAPPLE SAW OPTION

Motor size	0.61/1.16 in ³	10/19 cc
Required pressure	3500 psi	241 bar
Required flow	30/42 gpm	114/159 Lpm
Saw bar length	35/39 in	889/991 mm
Weight	375 lb	170 kg

BATEMAN MANUFACTURING
 5 WINSTAR ROAD
 ORO-MEDONTE, ONTARIO
 L0L 2L0, CANADA

WWW.BATEMANMANUFACTURING.COM
 MAIL@BATEMANMANUFACTURING.COM
 PHONE: (705) 487-5020
 FAX: (705) 487-5290



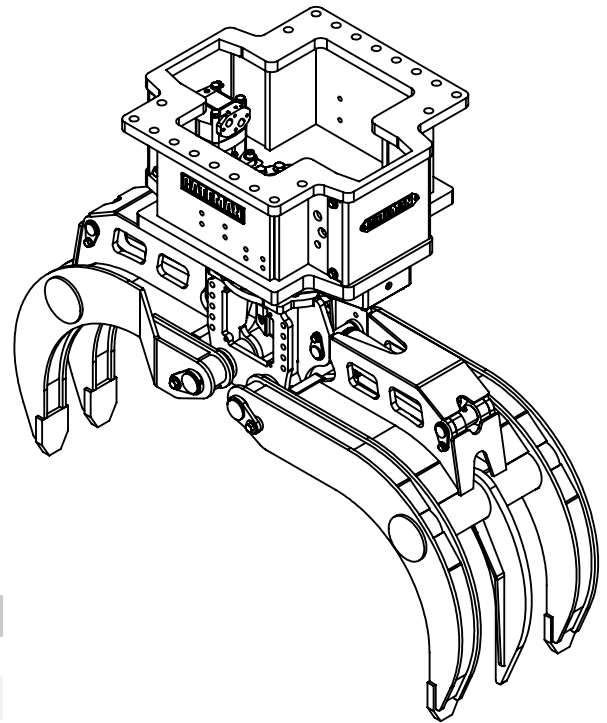


160 SERIES 3/2 WOODRAKE GRAPPLE

Open	68"	1727 mm
Area tip to tip	4.7 ft ²	0.44 m ²
Cylinder Bore	3 1/2"	89 mm
Lock valve on Cylinder	Excluded	
Cylinder Max. Pressure	3000 psi	207 bar
Weight (grapple only)	1200 lb	544 kg

200S SERIES MANIPULATING ROTATOR

Rotation	Unlimited	
Lifting capacity	112,000 lb	50802 kg
Max pressure	3000 psi	207 bar
Max torque	87500 lb-in	9886.2 Nm
Rotator flow	13 gpm	49 L/min
Rotation speed	15 rpm	
Weight	880 lb	399 kg



555S GRAPPLE SAW OPTION

Motor size	0.61/1.16 in ³	10/19 cc
Required pressure	3500 psi	241 bar
Required flow	30/42 gpm	114/159 Lpm
Saw bar length	35/39 in	889/991 mm
Weight	375 lb	170 kg

BATEMAN MANUFACTURING
 5 WINSTAR ROAD
 ORO-MEDONTE, ONTARIO
 L0L 2L0, CANADA

WWW.BATEMANMANUFACTURING.COM
MAIL@BATEMANMANUFACTURING.COM
PHONE: (705) 487-5020
FAX: (705) 487-5290

