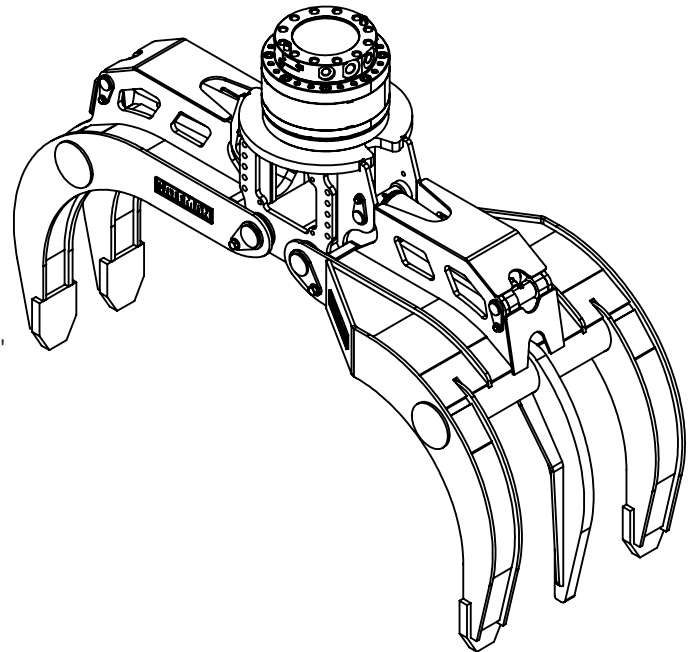
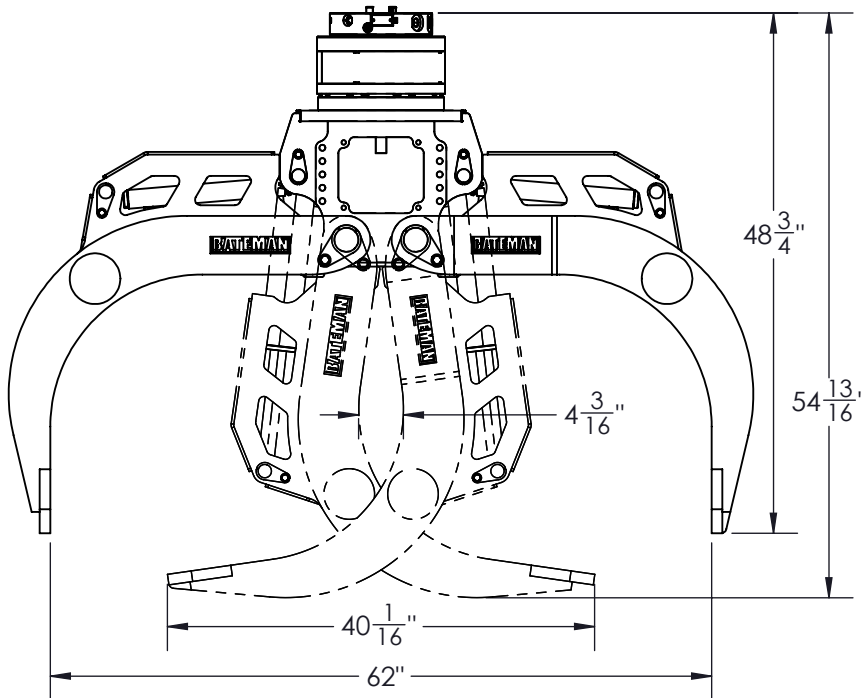


100 SERIES 3/2 WOODRAKE GRAPPLE

Open	62"	1575 mm
Area tip to tip	4.1 ft ²	0.38 m ²
Cylinder Bore	3"	76 mm
Lock valve on Cylinder	Excluded	
Cylinder Max. Pressure	3000 psi	207 bar
Weight (grapple only)	890 lb	404 kg

075 SERIES MANIPULATING ROTATOR

Rotation	Unlimited	
Lifting capacity	20233 lb	9178 kg
Max pressure	3625 psi	250 bar
Torque at max. pressure	36000 lb-in	4067.5 Nm
Rotator flow	8 gpm	30 L/min
Rotation speed	30 rpm	
Weight	201 lb	91 kg



BATEMAN MANUFACTURING
5 WINSTAR ROAD
ORO-MEDONTE, ONTARIO
L0L 2L0, CANADA

WWW.BATEMANMANUFACTURING.COM
MAIL@BATEMANMANUFACTURING.COM
PHONE: (705) 487-5020
FAX: (705) 487-5290

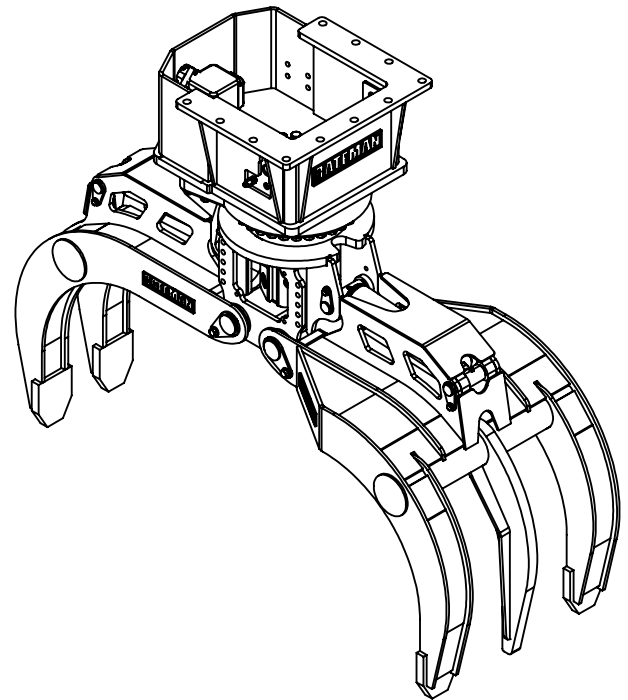
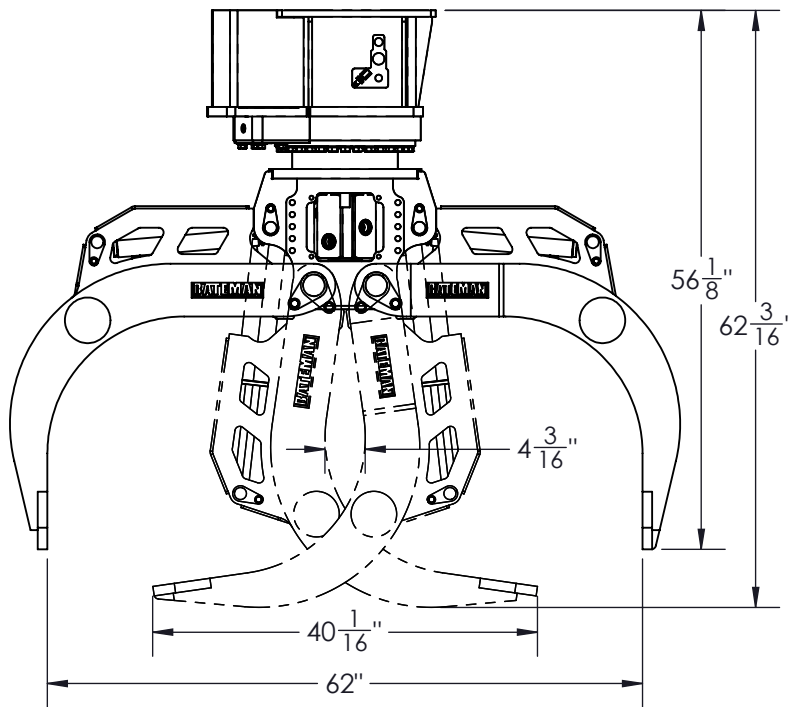
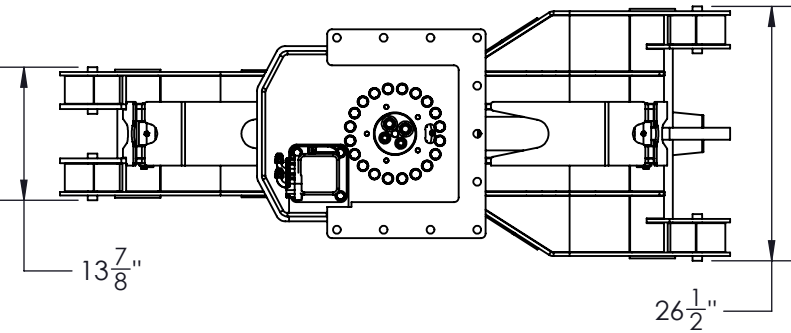


100 SERIES 3/2 WOODRAKE GRAPPLE

Open	62"	1575 mm
Area tip to tip	4.1 ft ²	0.38 m ²
Cylinder Bore	3"	76 mm
Lock valve on Cylinder	Excluded	
Cylinder Max. Pressure	3000 psi	207 bar
Weight (grapple only)	890 lb	404 kg

160 SERIES MANIPULATING ROTATOR

Rotation	Unlimited	
Lifting capacity	74200 lb	33657 kg
Max pressure	3000 psi	207 bar
Torque at max. pressure	32428 lb-in	3663.9 Nm
Rotator flow	10 gpm	38 L/min
Rotation speed	15 rpm	
Weight	500 lb	227 kg



555S GRAPPLE SAW OPTION

Motor size	0.61/1.16 in ³	10/19 cc
Required pressure	3500 psi	241 bar
Required flow	30/42 gpm	114/159 Lpm
Saw bar length	35/39 in	889/991 mm
Weight	375 lb	170 kg

BATEMAN MANUFACTURING
5 WINSTAR ROAD
ORO-MEDONTE, ONTARIO
L0L 2L0, CANADA

WWW.BATEMANMANUFACTURING.COM
MAIL@BATEMANMANUFACTURING.COM
PHONE: (705) 487-5020
FAX: (705) 487-5290

