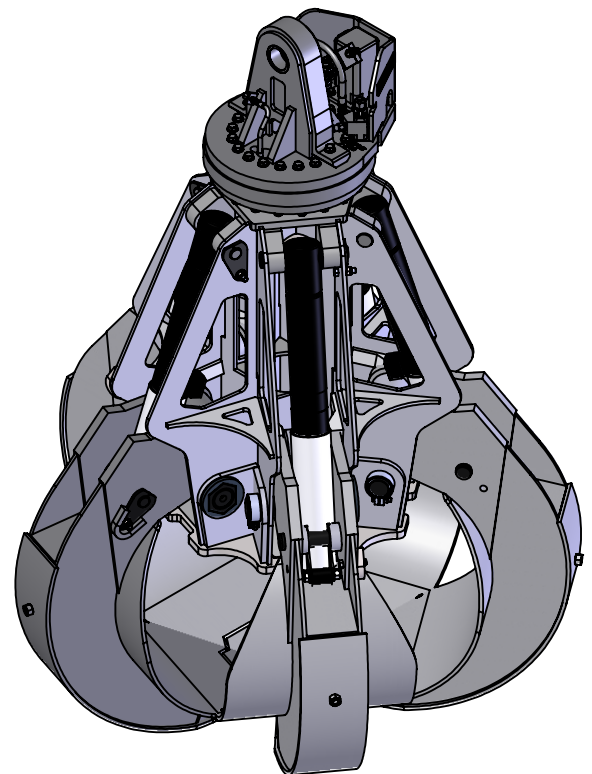
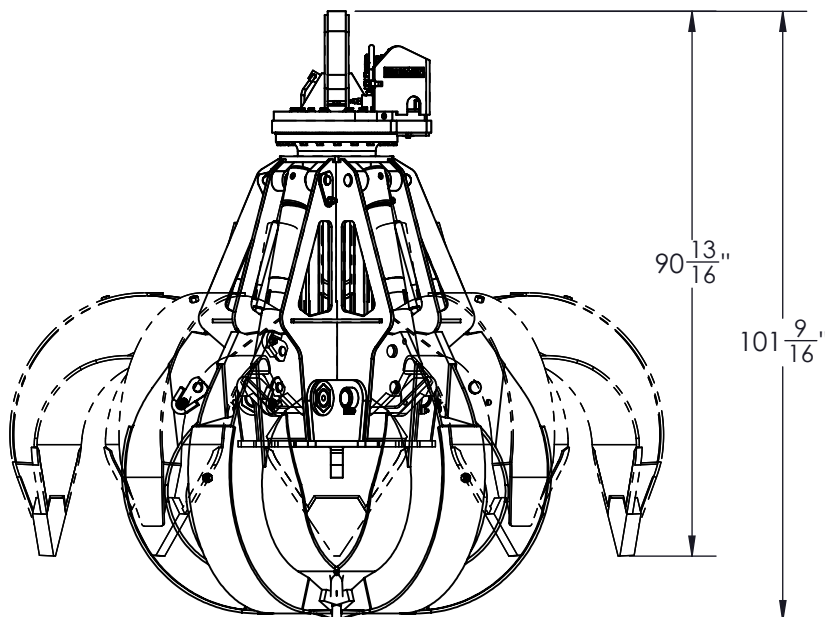


#### 1 1/4 YD GRAPPLE

Open	104.00 "	2641.6mm
Capacity	1 1/4 yd <sup>3</sup>	0.96 m <sup>3</sup>
Cylinder bore	3 1/2 "	89mm
Lock valve on cylinders	Excluded	
Cylinder max. pressure	5000 psi	345 bar
Weight (with rotation)	5400 lb	2449 kg

#### 200 SERIES DANGLING ROTATOR

Rotation	Unlimited	
Max axial load	200 000 lbs	90 718 kg
Rotation max. pressure	1 450 psi	100 bar
Torque at max. pressure	52 500 lb-in	5 931 Nm
Rotator flow	8-10 gpm	30-40 l/min
Rotation speed	15 rpm	
Weight	775 lb	352 kg



BATEMAN MANUFACTURING  
5 WINSTAR ROAD  
ORO-MEDONTE, ONTARIO  
L0L 2L0, CANADA

WWW.BATEMANMANUFACTURING.COM  
MAIL@BATEMANMANUFACTURING.COM  
PHONE: (705) 487-5020  
FAX: (705) 487-5290

