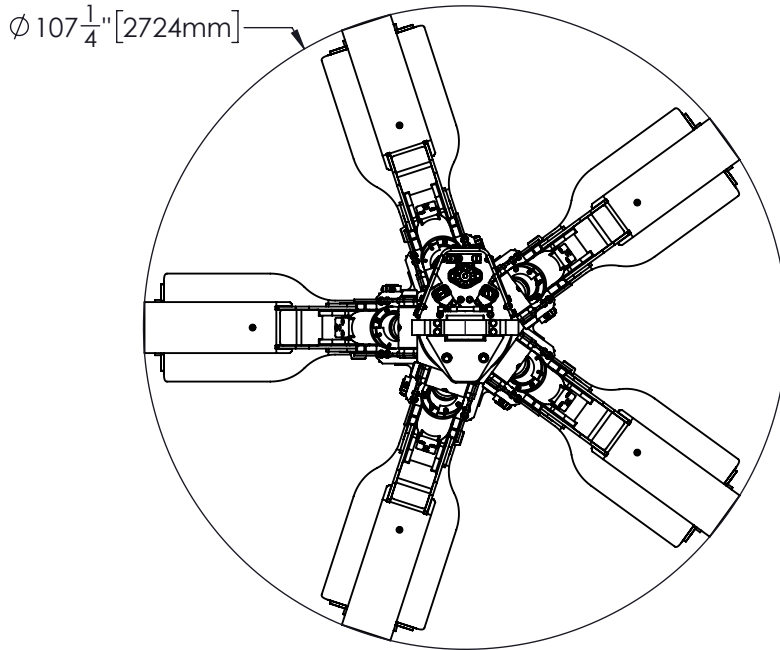




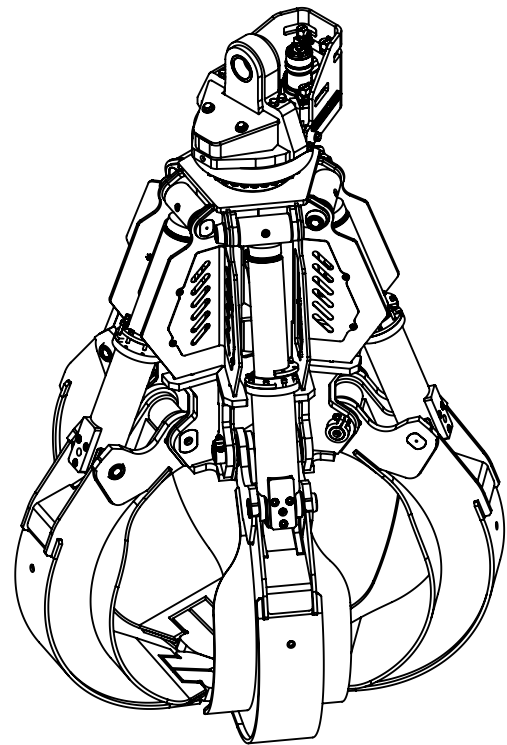
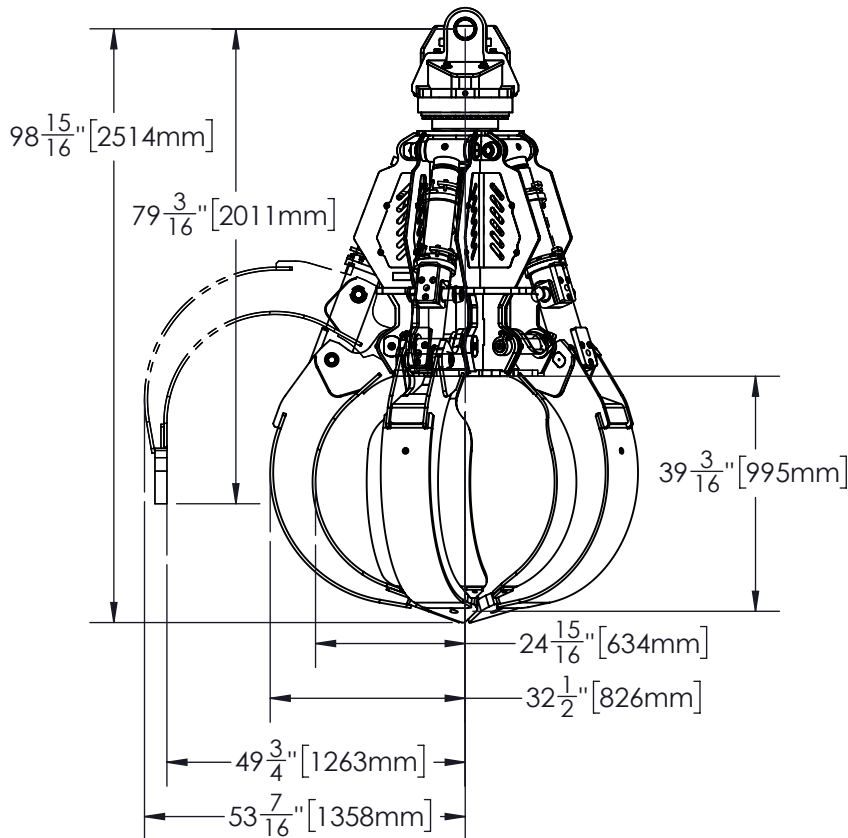
TECHNICAL SPECIFICATIONS
MODEL: B5T16-125SC

160S, 5 TINE, 1 1/4 YD³, GRAPPLE, BN24363



1 1/4 YD³ 5 TINE 160 SERIES GRAPPLE

Open	100 "	2527.3mm
Capacity	1.25 yd ³	0.95 m ³
Cylinder Bore	3 "	76mm
Cylinder Max. Pressure	5000 psi	345 bar
Rotator Max. Pressure	2540 psi	175 bar
Flow (Rotate Circuit)	10 gpm	38 Lpm
Grapple Rotation, At 10 gpm		29 rpm
Flow (Open/Close Circuit)	50 gpm	189 Lpm
Cycle Time Theoretical (Open/Close Circuit)		1.5 sec/2 sec
Weight (with rotator)	4210 lb	1910 kg



5 Winstar Road
 Oro-Medonte, ON L0L 2L0, Canada

info@batemanmanufacturing.com
 batemanmanufacturing.com

705-487-5020

