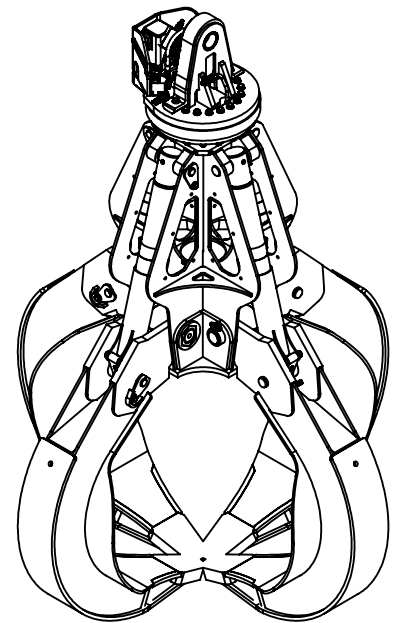
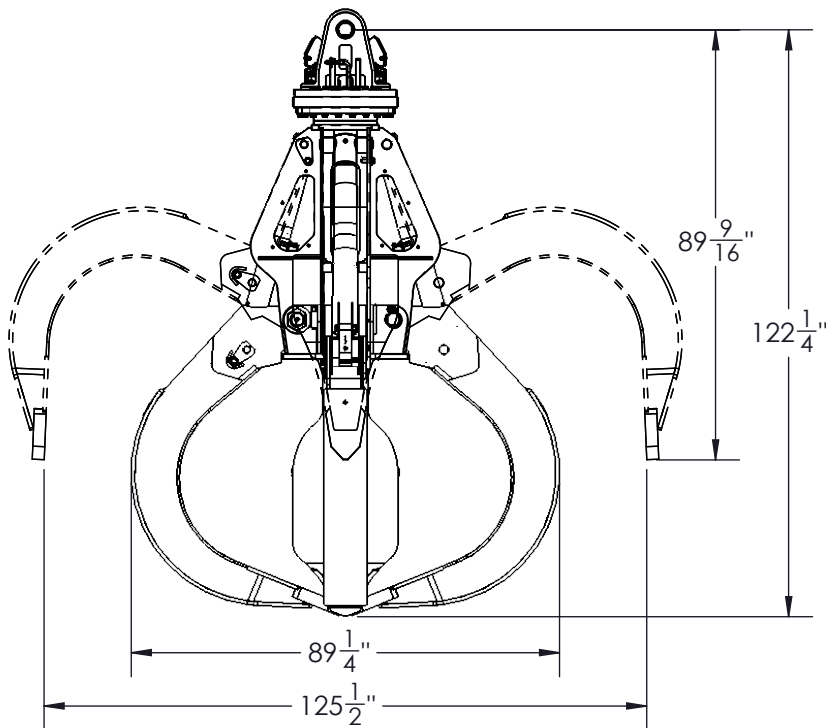


3 YD GRAPPLE

Open	125.50 "	3187.7mm
Capacity	3 yd ³	2.29 m ³
Cylinder bore	3 1/2 "	89mm
Lock valve on cylinders	Excluded	
Cylinder max. pressure	5000 psi	345 bar
Weight (with rotation)	5700 lb	2585 kg

200 SERIES DANGLING ROTATOR

Rotation	Unlimited	
Lifting capacity	112000 lb	50802 kN
Max pressure	1450 psi	10.0 MPa
Torque at max. pressure	21900 lb-in	29692.5 Nm
Rotator flow	10 gpm	38 L/min
Rotation speed	15 rpm	
Weight	850 lb	386 kg



BATEMAN MANUFACTURING
 5 WINSTAR ROAD
 ORO-MEDONTE, ONTARIO
 L0L 2L0, CANADA

WWW.BATEMANMANUFACTURING.COM
MAIL@BATEMANMANUFACTURING.COM
PHONE: (705) 487-5020
FAX: (705) 487-5290

